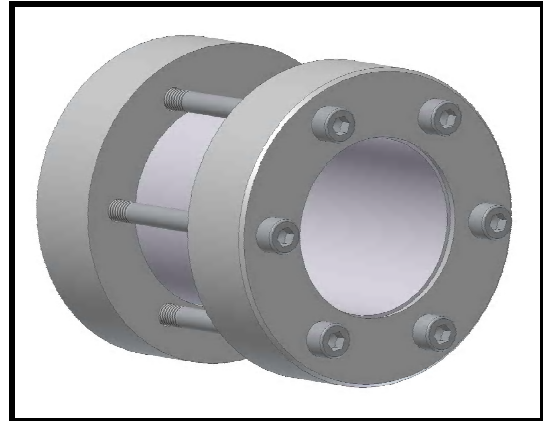
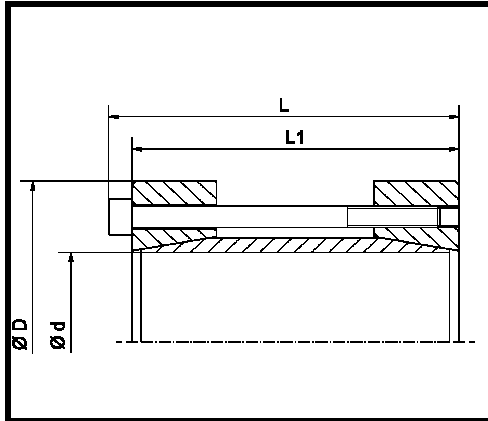


Wellenkupplung ECOLOC 5025



Abmessungen Wellenkupplung
Shaft Couplings Dimensions

Übertragbare Drehmomente

Spannschrauben
Locking screws

Transmissible
Torques

n Gewinde
Thread

| d | D | L | L1 | T | Fax | TA | | | |
|-------|-----|-----|-----|------|-----|-----|---|---|-----|
| mm | | | | Nm | kN | Nm | | | |
| 14 x | 45 | 56 | 50 | 140 | 18 | 17 | 4 | x | M6 |
| 15 x | 45 | 56 | 50 | 150 | 18 | 17 | 4 | x | M6 |
| 16 x | 45 | 56 | 50 | 160 | 18 | 17 | 4 | x | M6 |
| 17 x | 45 | 56 | 50 | 170 | 18 | 17 | 4 | x | M6 |
| 18 x | 50 | 56 | 50 | 180 | 18 | 17 | 4 | x | M6 |
| 19 x | 50 | 56 | 50 | 190 | 18 | 17 | 4 | x | M6 |
| 20 x | 50 | 56 | 50 | 200 | 18 | 17 | 4 | x | M6 |
| 22 x | 55 | 66 | 60 | 330 | 27 | 17 | 6 | x | M6 |
| 24 x | 55 | 66 | 60 | 360 | 27 | 17 | 6 | x | M6 |
| 25 x | 55 | 66 | 60 | 380 | 27 | 17 | 6 | x | M6 |
| 26 x | 60 | 66 | 60 | 340 | 24 | 17 | 6 | x | M6 |
| 28 x | 60 | 66 | 60 | 370 | 24 | 17 | 6 | x | M6 |
| 30 x | 60 | 66 | 60 | 400 | 24 | 17 | 6 | x | M6 |
| 32 x | 75 | 83 | 75 | 580 | 32 | 41 | 4 | x | M8 |
| 35 x | 75 | 83 | 75 | 640 | 32 | 41 | 4 | x | M8 |
| 38 x | 75 | 83 | 75 | 690 | 32 | 41 | 4 | x | M8 |
| 40 x | 75 | 83 | 75 | 730 | 32 | 41 | 4 | x | M8 |
| 42 x | 85 | 93 | 85 | 1100 | 48 | 41 | 6 | x | M8 |
| 45 x | 85 | 93 | 85 | 1200 | 48 | 41 | 6 | x | M8 |
| 48 x | 90 | 93 | 85 | 1290 | 48 | 41 | 6 | x | M8 |
| 50 x | 90 | 93 | 85 | 1340 | 48 | 41 | 6 | x | M8 |
| 55 x | 95 | 93 | 85 | 1900 | 64 | 41 | 8 | x | M8 |
| 60 x | 100 | 93 | 85 | 2200 | 64 | 41 | 8 | x | M8 |
| 65 x | 105 | 93 | 85 | 2400 | 64 | 41 | 8 | x | M8 |
| 70 x | 115 | 110 | 100 | 3200 | 80 | 83 | 6 | x | M10 |
| 75 x | 120 | 110 | 100 | 3300 | 80 | 83 | 6 | x | M10 |
| 80 x | 125 | 110 | 100 | 4800 | 110 | 83 | 8 | x | M10 |
| 85 x | 130 | 110 | 100 | 5100 | 110 | 83 | 8 | x | M10 |
| 90 x | 135 | 110 | 100 | 5400 | 105 | 83 | 8 | x | M10 |
| 95 x | 140 | 110 | 100 | 5700 | 105 | 83 | 8 | x | M10 |
| 100 x | 155 | 132 | 120 | 8700 | 150 | 143 | 8 | x | M12 |
| 105 x | 160 | 132 | 120 | 9200 | 150 | 143 | 8 | x | M12 |
| 110 x | 165 | 132 | 120 | 9600 | 150 | 143 | 8 | x | M12 |

Bestellbeispiel: z.B. 28 WK ECOLOC 5025