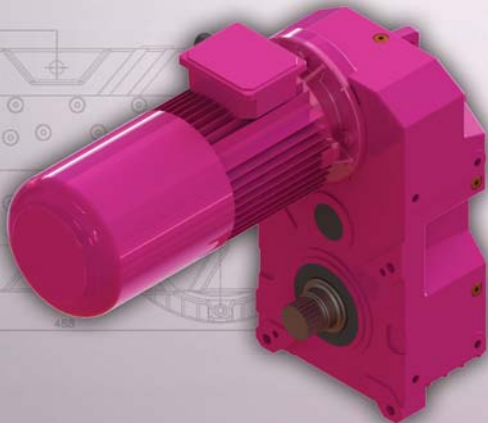
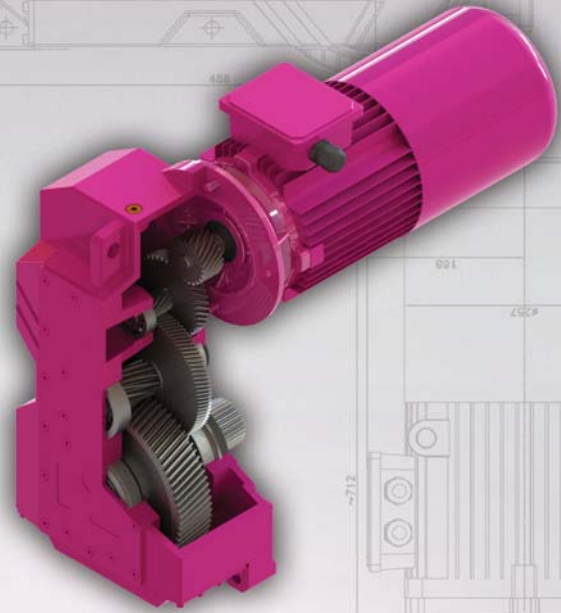


VR Series

Hoist Drum Drive Units

Advantages:

- Unique design: Monoblock Housing.
- Possibility of using larger drums compared to similar size of products to achieve longer rope service life .
- Capability of withstanding high radial loads with taper roller bearings.
- Designed for higher ISO/FEM load classifications compared to similar size of products.
- Easy connection holes for shorter bolts and more rigid mounting.
- Power panel can be mounted directly on the drive unit.
- Industry-specific connection types.

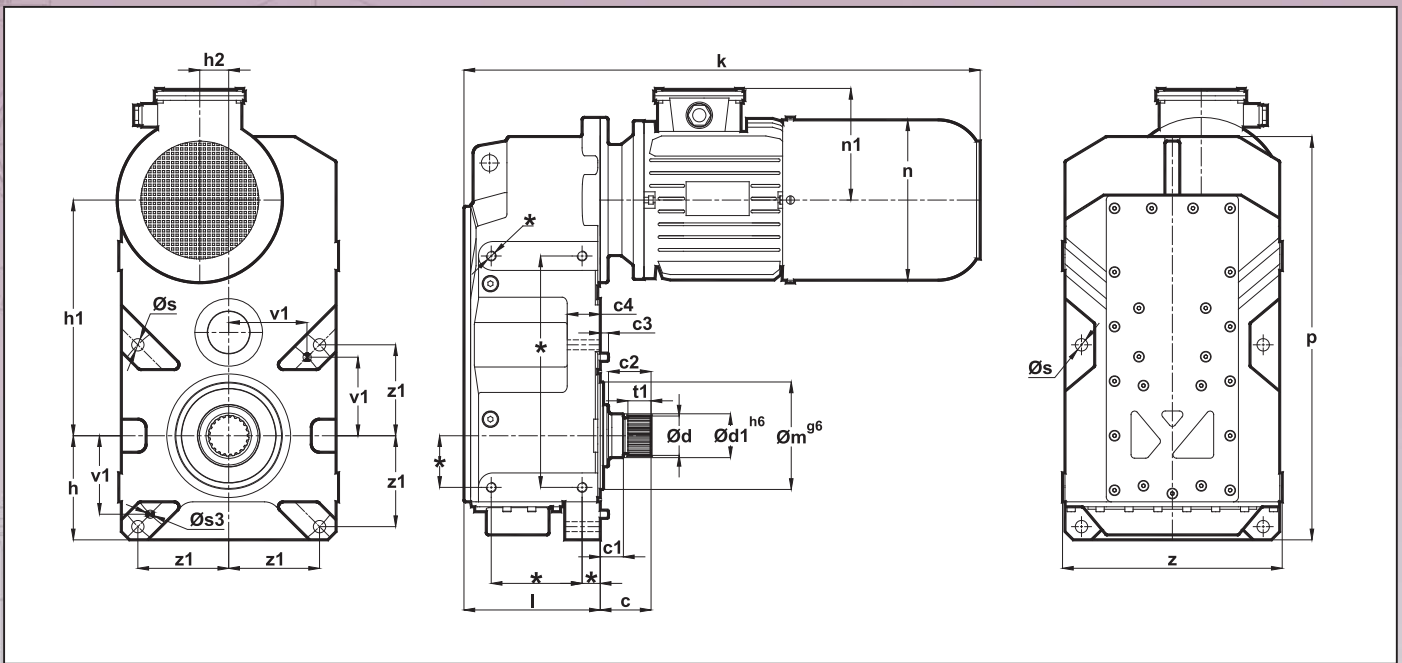


Specifications:

- 5 different sizes.
- Wide speed range.
- 3.2 - 40 tones load range.
- Designed for double and single speed brake motors.
- Solid output shafts with spline according to DIN5480.
- GG20 - GG22 cast iron housing.
- Suitable for different mounting positions.

Gear Unit Sizes	VR373.1K	VR473.1K	VR573.1K	VR673.1K	VR773.1K
Minimum Drum Diameter [mm] ♦	140	170	266	295-325	405
Falls	4/1	4/1	4/1	4/1	6/1
Maximum Load [ton]	3.2	6.3	12.5	20-25	40

♦ Please contact us for larger drum diameters.



Sizes	Motor Type	General Dimensions					Mounting Dimensions					Output Shaft Dimensions				
		z p	k	n / n1	h h1	h2 l	m	s s3	v1 z1	c3 c4	c	c1 c2	d	d1	t1	
VR373.1K	90S		537	176 / 126												
	90L	218	562	176 / 126	106	20	Ø110 (g6)	Ø13 Ø8	75 90	15 38	56	23 48	W45x2x30x21x8f DIN5480	Ø50 (h6)	28	
	100L	401	613	194 / 135	231	144										
	112M		636	218 / 146												
VR473.1K	100L		625	194 / 135									W50x2x30x24x8f DIN5480	Ø55 (h6)	28	
	112M	266	648	218 / 146	126	36	Ø130 (g6)	Ø15 Ø10	95 110	15 43	61.5	28 51,5				
	132S	491	712	258 / 168	285	165										
	132M		750	258 / 168												
VR573.1K	112M		673	218 / 146									W70x3x30x22x8f DIN5480	Ø75 (h6)	35	
	132S		732	258 / 168												
	132M	326	770	258 / 168	159	50	Ø160 (g6)	Ø18 Ø16	115 140	15 52	70	29 61				
	160M	618	870	310 / 225	355	198										
	160L		914	310 / 225												
VR673.1K	112M		698	218 / 146									W95x3x30x30x8f DIN5480	Ø100 (h6)	45	
	132S		762	258 / 168												
	132M		800	258 / 168												
	160M	370	900	310 / 225	180	60	Ø180 (g6)	Ø20 Ø20	132,5 157,5	20 54	85	33 74				
	160L	728	944	310 / 225	415	234										
	180L		960	348 / 241												
VR773.1K	112M		721	218 / 146									W110x4x30x26x8f DIN5480	Ø115 (h6)	67	
	132S		785	258 / 168												
	132M		823	258 / 168												
	160M	430	922	310 / 225	215	80	Ø230 (g6)	Ø22 Ø30	160 187,5	20 59	110	35 99				
	160L	815	966	310 / 225	478	265										
	180L		980	348 / 241												
	180M		1018	348 / 241												

* Side surface connection holes are optional

Your solution partner for hoist industry with it's unique design ...



Head Office: Maltepe Gumussuyu Caddesi
Bestekar Medeni Aziz Efendi Sokak No:54
34020 Topkapı - İstanbul
Tel. : +90 (0) 212 567 93 82 (2 Lines)
Fax : +90(0) 212 567 99 75

Fabrika
Atatürk Mah. Lozan Cad. No: 17 P.K.: 34522
Esenyurt - İstanbul - Türkiye
Tel : +90,212 886 90 00 (8 Hat) • 886 50 43 - 44 • 886 52 82 - 83
Fax : +90,212 886 54 57

www.yr.com.tr / yilmaz@yr.com.tr