

SPR 300 / 400



*ELECTRONIC PRESSURE REGULATOR
PNEUMATIC DIVISION*

MATRIX
mechatronics

EPR 100 is an electronically-controlled pressure regulator equipped with an 8-bit microcontroller. The control signal can be analogic, digital via RS232 or digital from the keyboard. It is converted into a proportional pressure signal by means of solenoid valves. The regulator can be used alone within the indicated flow values, or in combination with a pilot-operated pressure regulator (power stage).

The advantages are:

- Integration with analogic or digital control systems (PC, PLC, etc.).
- Extremely fast response times.
- Excellent repeatability and reliability.
- Low power absorption.

Version A, with analogic control via voltage or RS232 serial line.

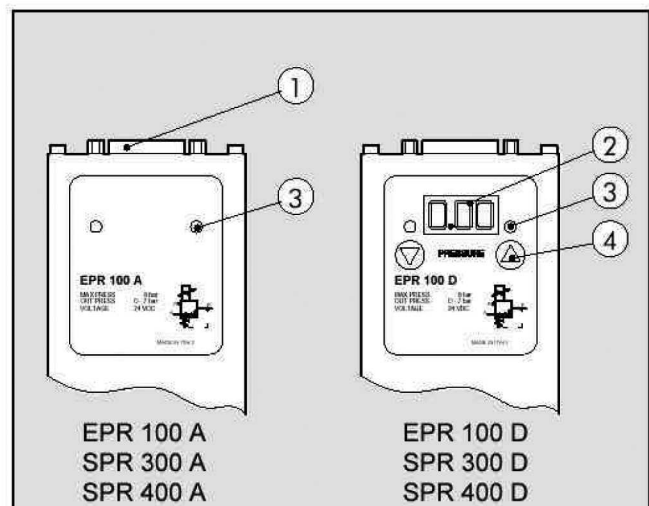
Version D, with control via RS232 serial line or keyboard or voltage, with display of the set and regulated pressures.



TECHNICAL DATA		EPR 100 A and D	SPR 300 A and D	SPR 400 A and D
Setting range	MPa		0.03 - 0.7	
	bar		0.3 - 7	
	psi		4 - 100	
Control pressure	MPa		0.1 - 0.8	
	bar		1 - 8	
	psi		15 - 115	
Temperature range	°C		-10°C to +50°C	
	°F		14 - 122	
Degree of protection		IP 60	IP 65	IP 65
Weight	Kg	0.4	1.9	5.6
Fluid		20 µm filtered air, de-humidified and unlubricated.		
Supply voltage		24 V DC		
Max. absorbed power	W	2		
Control		0-5V / 0-10V / RS 232		
Flow rate at 6.3 bar ΔP 0.5 bar	Nl/min	60	4500	18000
Reaction time	ms	< 5	-	-
Response time - rise time*	ms	60	-	-
Response time - fall time**	ms	100	-	-
* Volume 30 cm ³ Pal = 8bar, from 2 to 4 bar				
** Volume 30 cm ³ Pal = 8bar, from 4 to 2 bar				

COMPONENTS

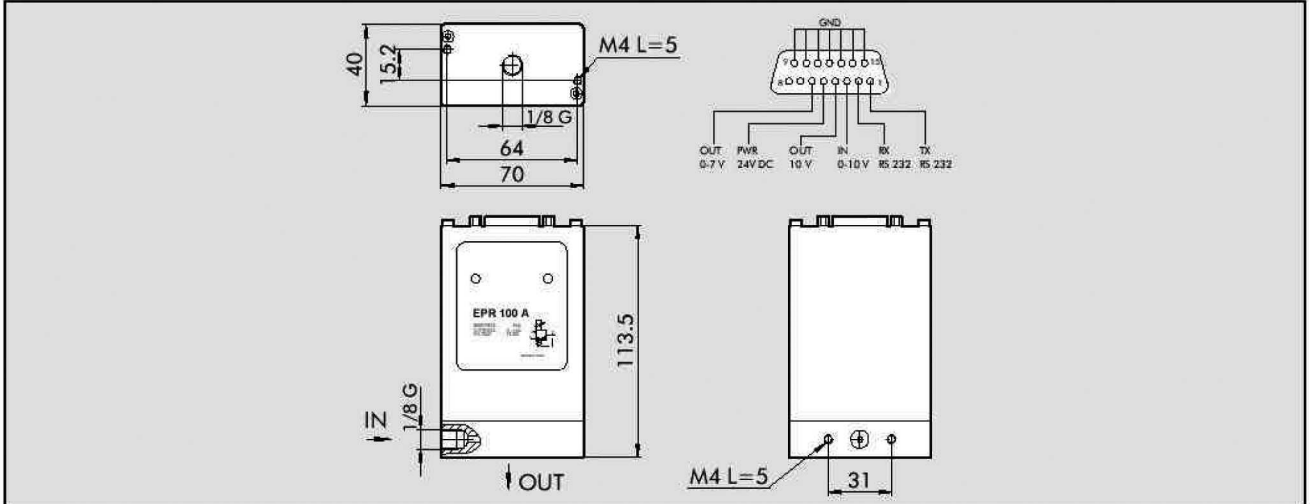
- ① Connection for power supply and serial line
- ② 3-digit digital display
- ③ Led
- ④ Instrument configuration and pressure setting keys



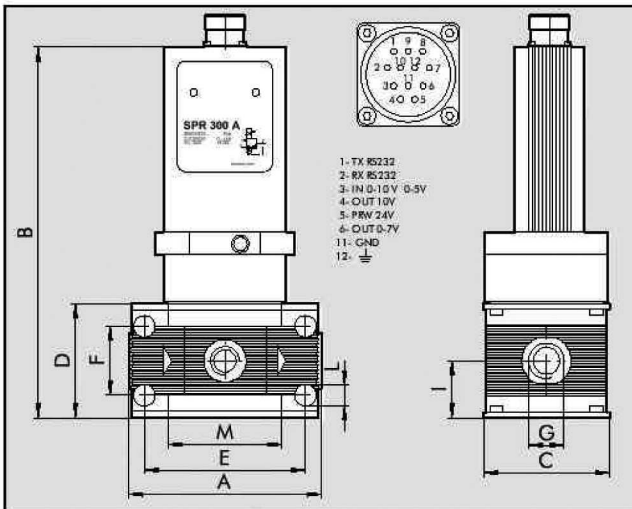
EPR 100 A/D
 SPR 300 A/D
 SPR 400 A/D

MATRIX mechatronics

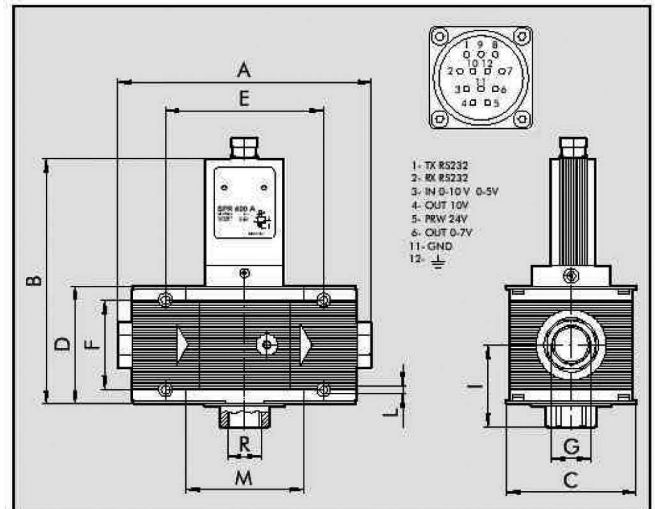
EPR 100 A/D



SPR 300 A/D



SPR 400 A/D



DIMENSIONS

Threaded port	SPR 300			SPR 400			
	G1/2"	G3/4"	G1"	G1"	G1"1/4"	G1"1/2"	G2
A	110	110	112	225÷255		283÷313	
B	227			234			
C	72			116			
D	65			105			
E	92			141.4			
F	42			80			
G	G1/2"	G3/4"	G1"	G1"	G1"1/4"	G1"1/2"	G2
I	32.5			74.5			
L	M5 hole			M6 hole			
M	65			105.4			